

CONDITIONS

1. If you wish to apply for warranty you must contact your Laser Xpro dealer.
2. LASER will only deal with applications for warranty by its official distributors.
3. With regard to all materials used no warranty is granted in case of injudicious mounting, discoloration (i.e. turning blue of the chrome, or discoloration of the Stainless Steel), damage by road, metal and/or accident, improper use, corrosion, wastage or damage caused by bad or negligent maintenance.
4. LASER guarantees its products, as far as they are made of Stainless Steel, for a period of 2 years after purchase date for material and manufacturing defects.
5. LASER guarantees its products, as far as they are made of steel, carbonfibre, titanium or aluminum, for a period of 12 months after purchase date for material and manufacturing defects.
6. LASER guarantees its products, as far as they are made of electronic components, for a period of 12 months after purchase date for material and manufacturing defects.
7. In case of replacement or reparation of any part under warranty, the original warranty term remains in force.
8. The warranty is not transferable.
9. Products that are not E-labeled are for racing purposes only.
10. Contact your dealer for all other warranty conditions.

MANUAL VESPA ET2

READ THIS MANUAL CAREFULLY BEFORE USING THE LASER PRO ORIGINAL SCOOTER EXHAUST!

Product properties:

Laser racing exhausts have been well known for their great power performance and high quality for years. The Laser Pro Original exhaust is specially developed in order to use on original mounted or replacement cylinders with a 50 cc content. The R&D team of Laser has paid a lot of attention to the technical construction and materials used in order to create long durability. Many parts and materials – e.g the mounting parts, muffler fill and the quality of materials used – can also be found in the famous motorcycle exhausts of Laser. Providing you attend to certain aspects, the Laser Pro Original exhaust can ensure you pleasure for years.

Muffler suitable for:

VESPA

- ET2 PIAGGIO

ORDERNR.:

86.900110i



PRO
Original



ISO 9001 Accredited by RVA

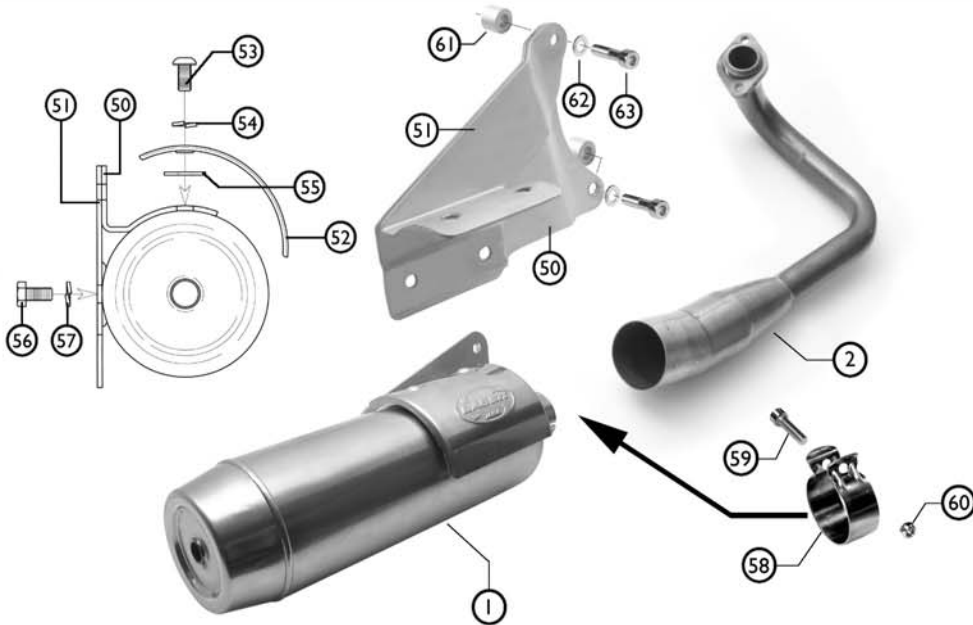


PRO
Original



ISO 9001 Accredited by RVA

Orderno.: 86.900110i



READ THIS MANUAL CAREFULLY BEFORE MOUNTING THE EXHAUSTS!

Mounting the Laser Pro Original:

- Ask your dealer's advice before mounting the exhaust.
- Take your time! Mounting asks for precision.
- Prevent leakage by using a new round ring gasket with every mount.
- First tighten the mounting bolts and nuts by hand.
- Tighten evenly the bolts and nuts on the cylinder side with the right tools. The fitting of the flange must be straight to the cylinder.
- Take note that the exhaust is mounted free of tension to prevent warpage of the flange and eventually tearing of the exhaust.
- Tighten the mounting bolts only if you are sure that the fitting to the cylinder is right.

Advice for your Laser Pro Original:

- Put some grease between the two mounting brackets. This will extend the durability of the Laser Pro Original exhausts.

Maintenance of the Laser Pro Original:

- Good maintenance extends the life of the exhaust.
- Ask your dealer's advice concerning maintenance of the exhaust.
- Clean the exhaust regularly with a soft cloth or sponge with hand warm water with the addition of a non-aggressive cleaning detergent (car shampoo is advisable).
- Regularly apply some (motor-) oil to the exhaust with a soft cloth. The protective greasy layer will keep the surface free of corrosion as long as possible.
- The noise level can increase in course of time due to coal deposit and condensation in the silencer.

Productlist of : 86.900110i LASER PRO ORIGINAL VESPA ET2 PIAGGIO

Pos.	Qty.	Partno.	Description
1	1	86.9001	LASER PRO ORIGINAL MUFFER APP.INOX
2	1	50.8012	COLLECTOR PRO ORIG.VESPA PIAGGIO
50	1	60.8023	BRACKET PRO ORIGINAL VESPA FRONT
51	1	60.8022	BRACKET PRO ORIGINAL VESPA BACK
52	1	16.2355	SHIELD PRO ORIGINAL
53	2	2178	BOLT M8X20 MUSH-ROOM RVS
54	2	2172	SPRINGWASHER M8 RVS
55	2	2140	WASHER M8 LARGE D25X2,0 RVS
56	2	1021	BOLT M8X16
57	2	2004	SPRINGWASHER M8
58	1	11.1040	CLAMP D47,5 (D45-D49)
59	1	2099	HEX.SKT HC SCREW M6X30 DIN 912
60	1	2050	NUT M6
61	2	13.1162	COLLAR D20 D10,5 L=20
62	2	2005	WASHER M8
63	2	2145	HEX.SKT HC SCREW M8X 55
64	2	18.2084	STICKER LASER OVAL 6cm YEL./BLACK
65	2	18.2080	STICKER LASER OVAL 12cm YEL./BLACK



PRO
Original



ISO 9001



Accredited by RVA



PRO
Original



ISO 9001



Accredited by RVA